

PRODUCT INFORMATION PACKET

Model No: 5KCR49PN0098X
Catalog No: EG272
3/4, 1725/1425, DP, 56, 1/60/100-120/200-240
Open Drip Proof (ODP)



Regal and Marathon are trademarks of Regal Beloit Corporation or one of its affiliated companies.
©2018 Regal Beloit Corporation, All Rights Reserved. MC017097E

Nameplate Specifications

| | | | |
|------------------------|--------------------------|----------------------------|--------------------------|
| Output HP | 0.75 Hp | Output KW | 0.56 kW |
| Frequency | 60 Hz | Voltage | 100-120/200-240 V |
| Current | 9.0-8.8,4.5-4.4 A | Speed | 1725 rpm |
| Service Factor | 1 | Phase | 1 |
| Efficiency | 75.2 % | Duty | Continuous |
| Insulation Class | B | KVA Code | M |
| Frame | 56 | Enclosure | Drip Proof |
| Overload Protector | AUTO | Ambient Temperature | 40 °C |
| Drive End Bearing Size | 6203 | Opp Drive End Bearing Size | 6203 |
| UL | Recognized | CSA | Yes |
| CE | N | | |

Technical Specifications

| | | | |
|-------------------|--|-----------------------|-----------------------------------|
| Electrical Type | Capacitor Start Capacitor Run(CSCR) | Starting Method | SM |
| Poles | 4 | Rotation | Selective Counterclockwise |
| Mounting | Resilient Base | Motor Orientation | Any |
| Drive End Bearing | BALL | Opp Drive End Bearing | BALL |
| Frame Material | Rolled Steel | Overall Length | 11.37 in |
| Frame Length | 7.15 in | Shaft Diameter | 0.630 in |
| Shaft Extension | 1.88 in | | |
| Outline Drawing | 52A107705P4 | Connection Diagram | 52A105383AC |

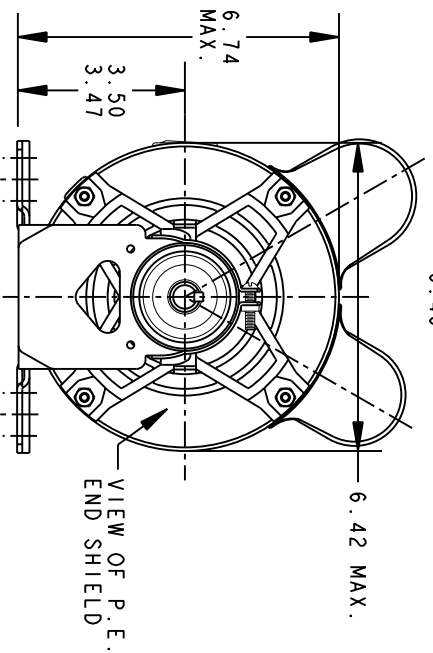
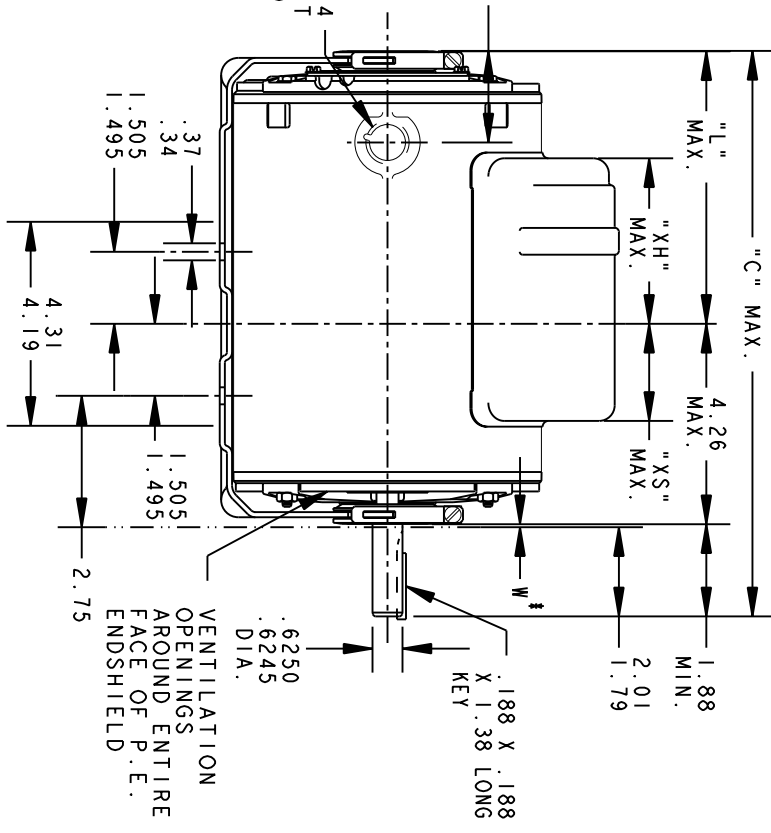
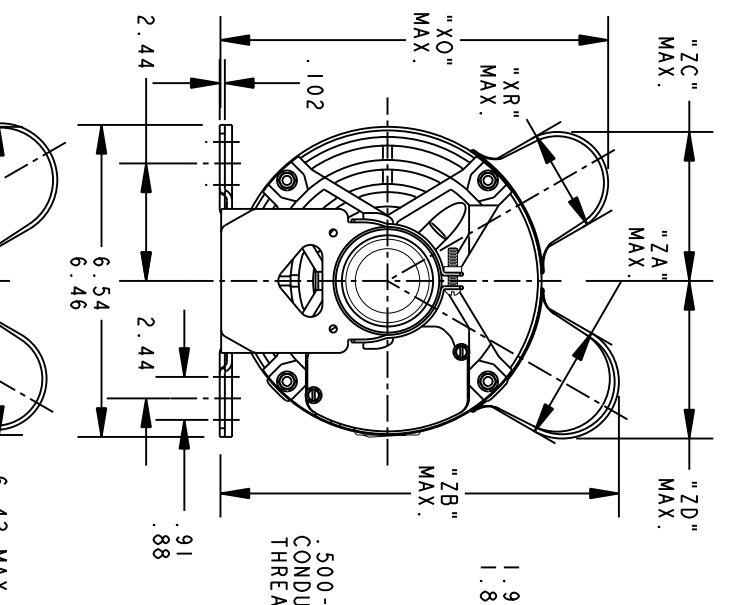
This is an uncontrolled document once printed or downloaded and is subject to change without notice. Date Created: 07/02/2018

THIRD ANGLE PROJECTION



REVISIONS

| REV. | DESCRIPTION | DATE | APPROVED |
|------|---------------------------------|----------|----------|
| 12 | CHG TO RBC FORMAT PER IS05-1777 | 03/01/06 | SUDHA |



* W IS A VARIABLE CLEARANCE DUE TO VARIATIONS IN PARTS AND ASSEMBLY

| 7 | 6 | 5 | 4 | 3 | 2 | 1 | P |
|-------|-------|-------|-------|--------|-------|-------|------------|
| KCR | KCR | KCR | KCR | KCR/KC | KCR | KCR | TYPE |
| 48 | 49 | 49 | 49 | 46 | 49 | 49 | GE SIZE |
| 56 | 56 | 56 | 56 | 56 | 56 | 56 | NEMA FR |
| 12.66 | 11.91 | 10.37 | 11.37 | 10.77 | 11.91 | 11.91 | "C" |
| 6.50 | 5.75 | 4.23 | 5.23 | 4.63 | 5.75 | 5.75 | "L" |
| 3.58 | 3.58 | 2.86 | 3.52 | 2.92 | 3.58 | 3.58 | "XH" |
| 8.18 | 8.18 | 8.18 | 8.18 | 8.18 | 8.18 | 8.18 | "XO" |
| 2.15 | 2.15 | 2.15 | 2.15 | 2.15 | 2.15 | 2.15 | "XR" |
| 2.17 | 2.17 | 2.89 | 2.23 | 2.83 | 2.17 | 2.17 | "XS" |
| 2.40 | 1.60 | 1.60 | 2.40 | 2.40 | 2.72 | 2.40 | "ZA" |
| 8.40 | 7.81 | 7.72 | 8.40 | 8.40 | 8.77 | 8.40 | "ZB" |
| 3.20 | 3.20 | 3.20 | 3.20 | 3.20 | 3.20 | 3.20 | "ZC" |
| 3.38 | 2.86 | 2.97 | 3.38 | 3.38 | 3.66 | 3.38 | "ZD" |
| 8.43 | 7.68 | 6.15 | 7.15 | 6.55 | 7.68 | 7.68 | MIN. SHELL |

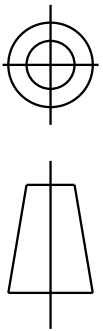
REGAL-BELOIT CORPORATION

OUTLINE

40 FRAME REDESIGN - GENERAL PURPOSE MOTOR - DRIP PROOF - BALL BEARING - RESILIENT BASE

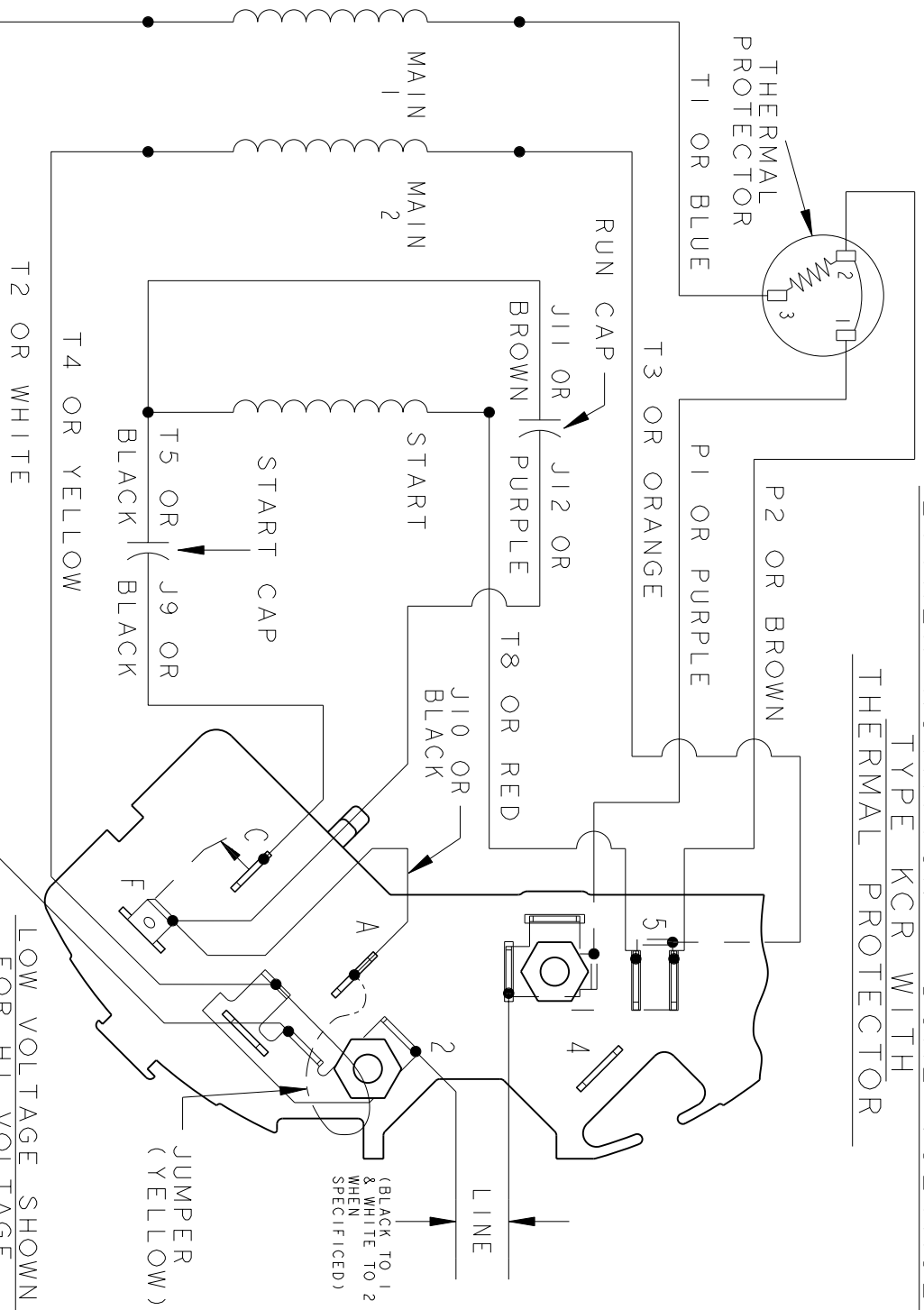
| | | | |
|-------------------------------|------------------------|----------|------------|
| FOR ADDITIONAL INFO REFER TO: | MFG | QUALITY | M.D. PAPER |
| APPLIED PRACTICES | ISSUED | 05/04/95 | |
| DIMENSIONS ARE IN INCHES | SOLID MODEL: 52A107705 | | |

| | | | |
|--------------|--------------|-----------|--------------|
| TITLE | SCALE: 0.250 | REF. No.: | SHEET 1 of 1 |
| SIZE DRAWING | A | | |
| REV | 52A107705 | 12 | |



| REV. | DESCRIPTION | DATE | APPROVED |
|------|--|----------|----------|
| 4 | ADDED NOTE FOR LINE LEAD PER DS09-1045 | 07/15/09 | ARCHANA |

EITHER ROTATION - DUAL VOLTAGE
TYPE KCR WITH
THERMAL PROTECTOR



- NOTE #1 - FOR HI VOLTAGE REMOVE BROWN (P2) FROM TERMINAL #5 AND PLACE ON TERMINAL #4, REMOVE WHITE (T2) FROM TERMINAL #2 AND PLACE ON TERMINAL #5.
- NOTE #2 - TO REVERSE ROTATION INTERCHANGE BLACK (J10) AND RED (T8) LEADS.
- NOTE #3 - WHEN MORE THAN ONE CAPACITOR IS USED CONNECT IN PARALLEL.

REF. DIAG. - NONE

SWITCH - 115D958AC
CONNECTION LABEL - 52X332051

| SIGNATURES | | DATE |
|-------------------------------|--------------|-----------------|
| MODEL | M.D. PAPE | 03/03/88 |
| DETAIL | . | . |
| CHECKED | . | . |
| ENGRG | . | . |
| MFG | . | . |
| FOR ADDITIONAL INFO REFER TO: | QUALITY | . |
| APPLIED PRACTICES | ISSUED | M.D.P. 03/03/88 |
| DIMENSIONS ARE IN INCHES | SOLID MODEL: | 52A105383AC |



REGAL-BELOVT CORPORATION

CONNECTION DIAGRAM

30 FRAME SWITCH REDESIGN

| | | | | | | |
|-------|------|---------|-------|----------|--------|-----|
| TITLE | SIZE | DRAWING | SCALE | REF. No. | SHEET | REV |
| | A | | 1.000 | | 1 of 1 | 4 |